

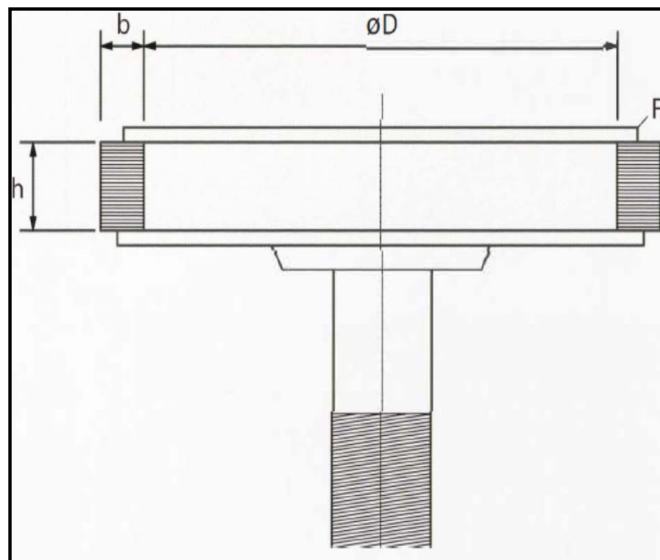


Friction Screw Press Belts

800-345-6294

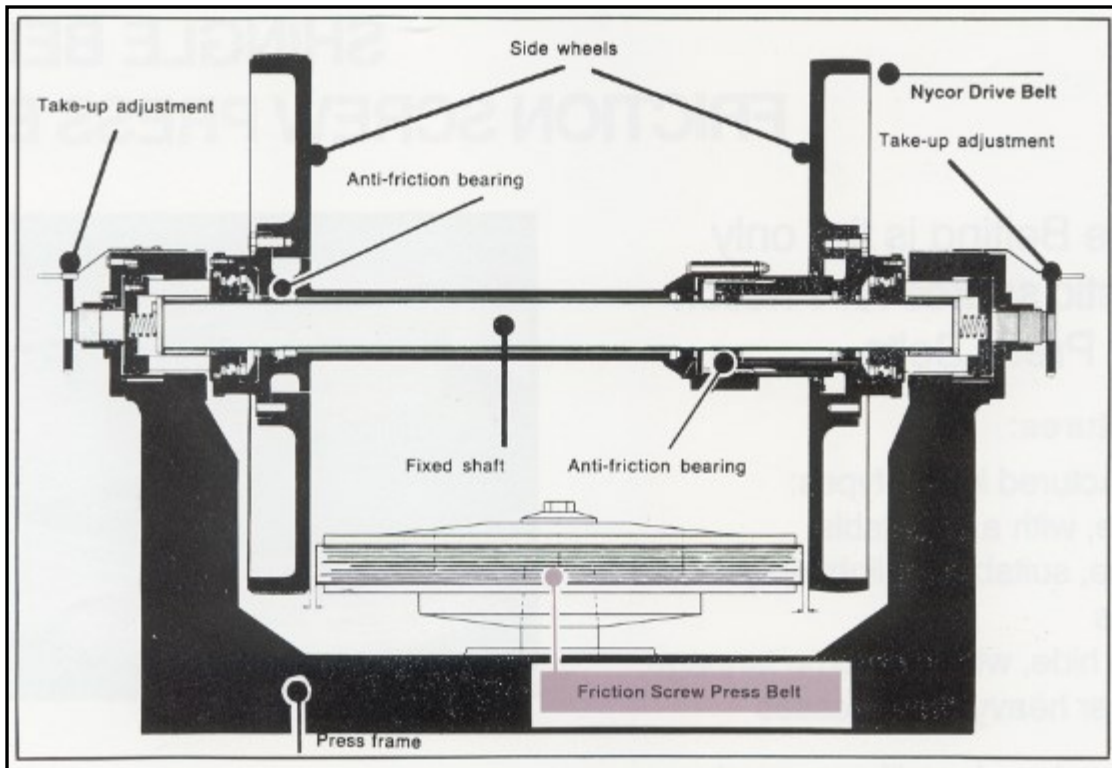
Correct Measurement Ensures the Proper Screw Press Belt

The flywheel construction determines the optimum choice of screw press belt. It is critical for us to know if the upper flange is fixed or if it can be removed when fitting the belt. We also need the F , D , h , and b dimensions from the diagram below.



800-345-6294

www.shinglebelting.com



Other Shingle products for the Forge Industry

- Nycor Leather Drive Belts
- Nycor Rubber Drive Belts
- Monofilament Conveyor Belting
- Thermoplastic Round & Vee Belting

Contact us @ 800-345-6294 with technical questions or inquiries
www.shinglebelting.com

SHINGLE
BELTING

420 Drew Court
King of Prussia, PA 19406
Phone: 610-239-6667
Email: belting@shinglebelting.com